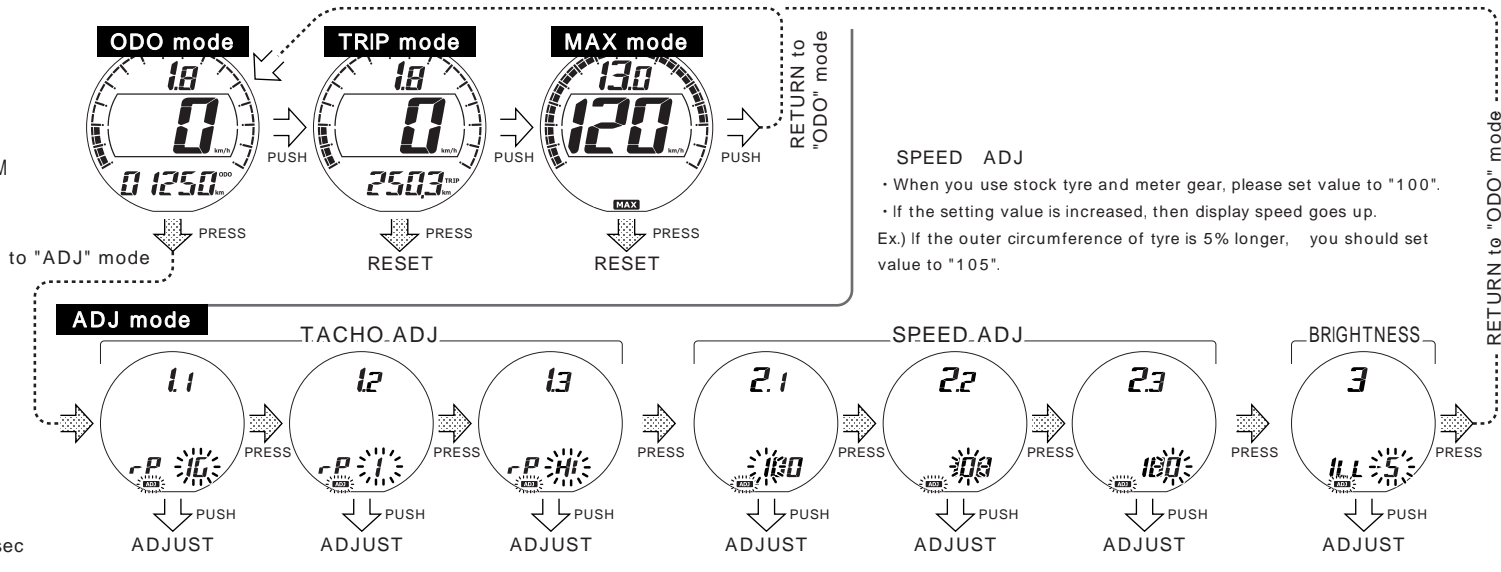
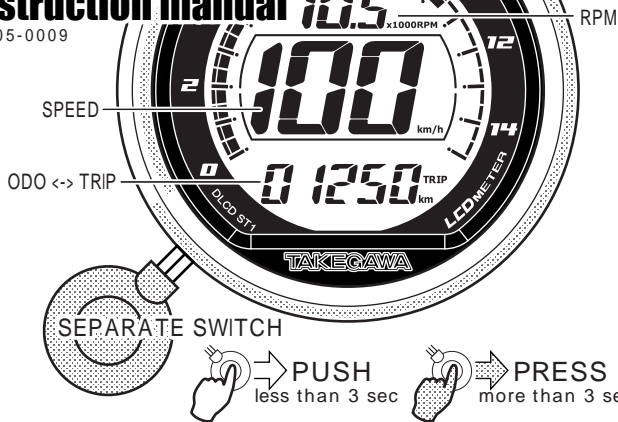


DLCD ST1 KIT

D-TYPE LCD SPEED & TACHO instruction manual

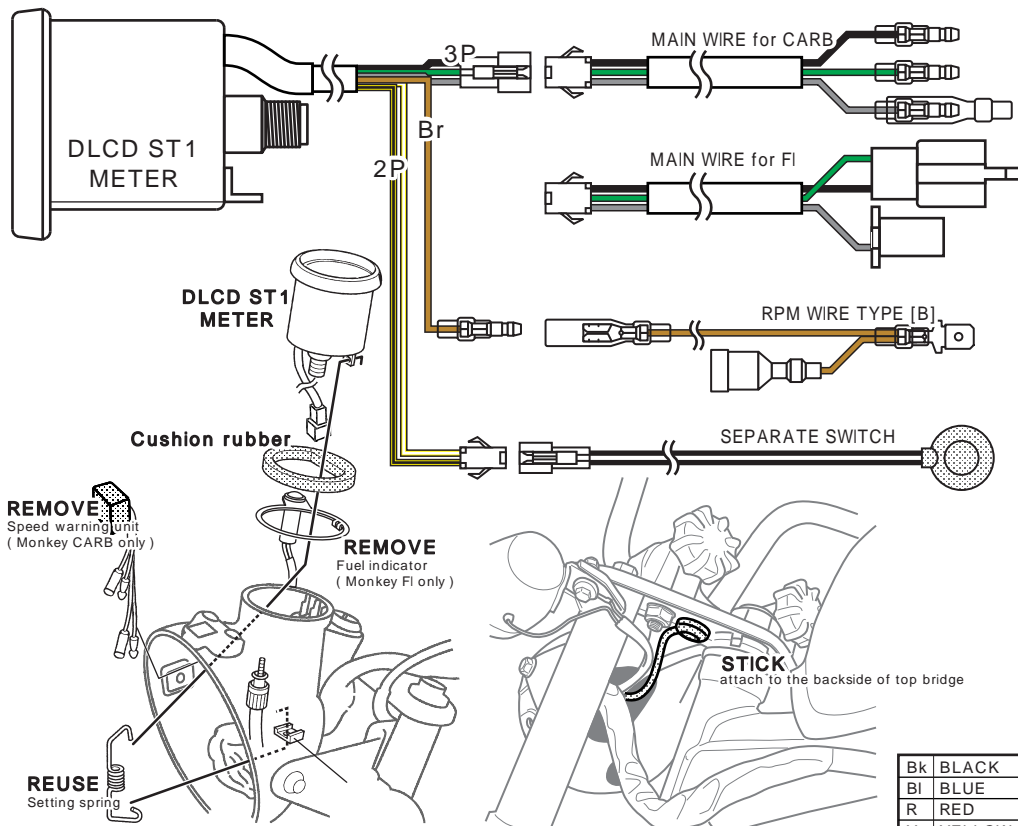
05-05-0009



SPEED ADJ

- When you use stock tyre and meter gear, please set value to "100".
 - If the setting value is increased, then display speed goes up.
- Ex.) If the outer circumference of tyre is 5% longer, you should set value to "105".

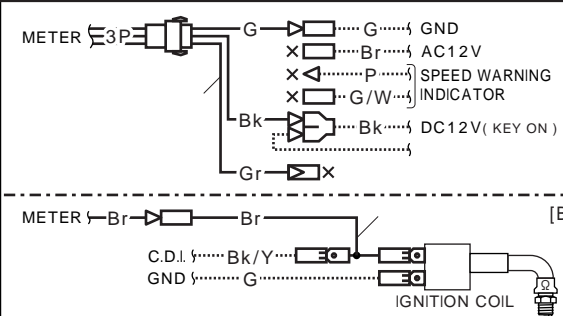
INSTALL & WIRING



12V Monkey / Gorilla CARB
(Z50J-2000001 ~)
(AB27-1000001 ~ 1899999)

Ape 100 W. Battery
(HC07-1600001 ~)

Ape 100 Type D
(HC13-1000001 ~)



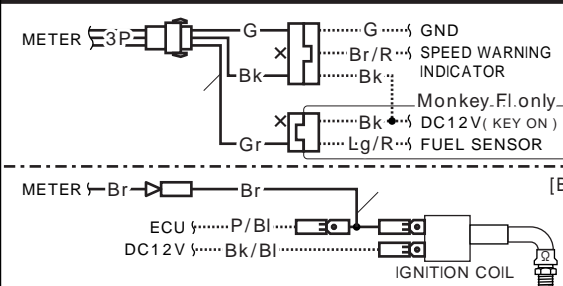
NECESSARY !! to change the setting at ADJ mode

ADJ No.	
TACHO 1.1	rP-IG
TACHO 1.2	rP-1
TACHO 1.3	rP-Lo
SPEED 2.1	1
SPEED 2.2	0
SPEED 2.3	0
BRIGHTNESS 3	ILL-1 ~ 5

Monkey FI
(AB27-1900001 ~)

Ape 50 FI
(HC07-1600001 ~)

Ape 50 Type D
(HC13-1000001 ~)

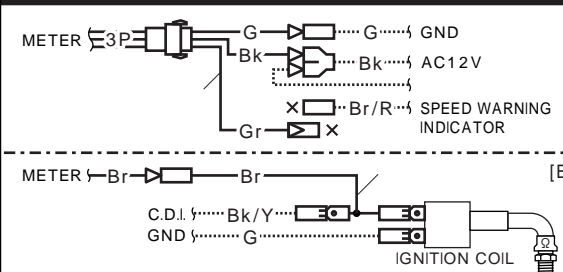


ADJ mode

ADJ No.	
TACHO 1.1	rP-IG
TACHO 1.2	rP-0.5
TACHO 1.3	rP-Hi
SPEED 2.1	1
SPEED 2.2	0
SPEED 2.3	0
BRIGHTNESS 3	ILL-1 ~ 5

Ape 50 CARB
(AC16-1000001 ~ 1599999)

Ape 100 W/O Battery
(HC07-1000001 ~ 1599999)



ADJ mode

ADJ No.	
TACHO 1.1	rP-IG
TACHO 1.2	rP-1
TACHO 1.3	rP-Lo
SPEED 2.1	1
SPEED 2.2	0
SPEED 2.3	0
BRIGHTNESS 3	ILL-1 ~ 5

Color	Code	Side
Bk	BLACK	BIKE side
Bl	BLUE	
R	RED	METER side
Y	YELLOW	
G	GREEN	METER side
Lg	LIGHT GREEN	